

Sapa Door 2074 in panel wall



Our insulated door system has a profile depth of 74 mm and uses 30 mm wide glass fibre reinforced polyamide strips. The frame profile is adapted for installation in light wall structures consisting of sheet metal and insulation material. The inside is complemented with a casing made of an aluminium profile specially developed for different wall thicknesses. Door leaf profiles are available for all types of locks.

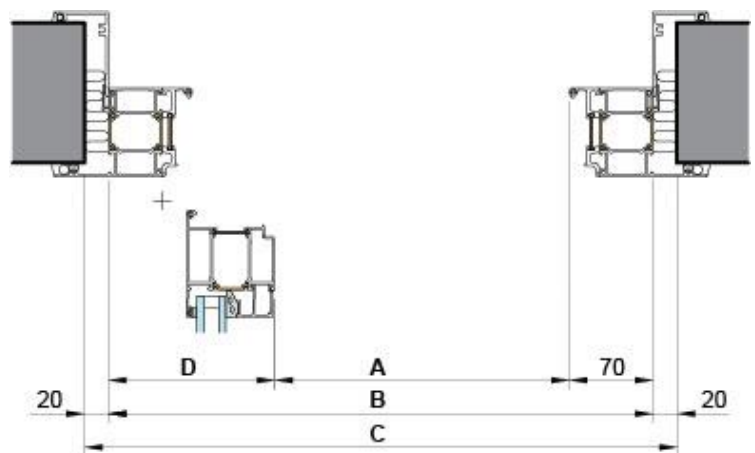
- **Versions.** Single-leaf and double-leaf.
- **Break-out protection.** For outward opening single-leaf door.
- **Personal safety.** Available with anti-finger trap edge.

o Clear dimension

Doors and entries should be designed with enough space (clear dimension) for person traffic and to facilitate passage in a wheel chair. Applicable standards and requirements should be taken into account.

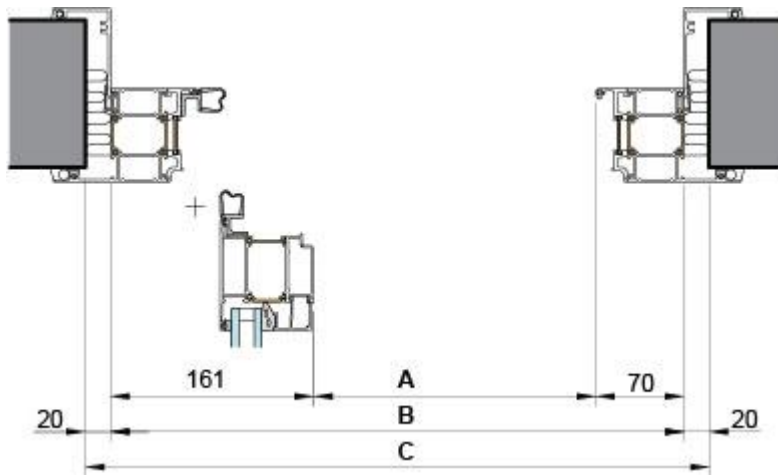
Rebate door

- A = Clear dimension
- B = Frame outside dimension
- C = Wall opening
- D with universal hinge= 139 mm
- D with lap butt hinge= 133 mm



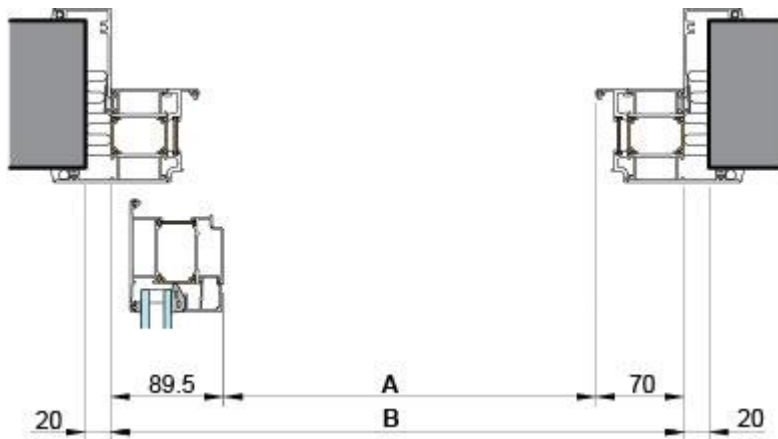


Anti-finger trap edge with a rubber strip



- A = Clear dimension
- B = Frame outside dimension
- C = Wall opening

Rebate door with hidden hinges



- A = Clear opening
- B = Frame outside dimension
- C = Wall opening

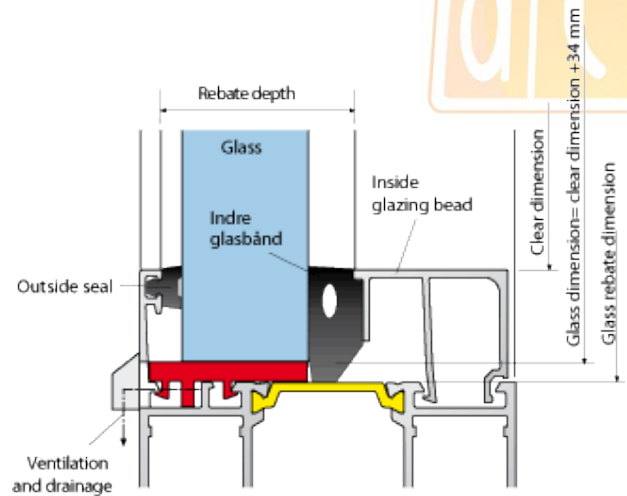


o **Glazing**

Unprotected glazed surfaces that can be reached by persons shall be designed so as to limit the risk of injury. Such glazed surfaces shall be dimensioned so as to withstand the dynamic influence of a person. Applicable standards and requirements should be taken into account.

Functional dimensions

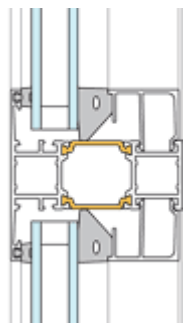
Glass or infill panels thickness 20-54 mm



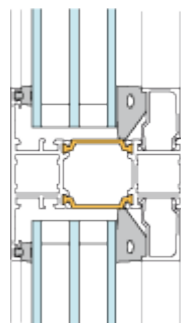
The illustration shows the different functional dimensions commonly used by the window industry and established by the MTK. The gaskets are made of EPDM rubber and are available in several versions.

Glazing

Glass thickness 20-54 mm

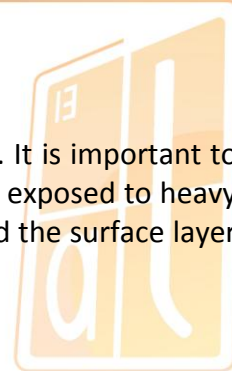


Double glazing unit



Triple glazing unit





○ **Infill panels**

Certain parts of the elements can or must be filled with infill panels. It is important to consider the backing and the surface layer of the panels. If the infill panels are exposed to heavy impacts or mechanical loads, the backing should be made of durable board and the surface layer should be made of stainless or glass enamelled steel sheet.

Infill panel F2

U value in the middle: 0.74 W/m²K

- 1,5 mm Aluminium sheet
- 4,8 mm Board
- 40 mm Insulation
- 4,8 mm Board
- 1,5 mm Aluminium sheet



Infill panel F3

U value in the middle: 0.74 W/m²K

- 1.5 mm Aluminium sheet
- 10 mm Chipboard
- 40 mm Insulation
- 1.5 mm Aluminium sheet



Infill panel F4

U value in the middle: 0.78 W/m²K

- 1.5 mm Aluminium sheet
- 40 mm Insulation
- 10 mm Sapa boarding



○ **Fittings**

Our door system can be easily equipped with the most common fittings available on the market. For optimum functionality it is important that the fittings work together.



Hinges, examples



Universal hinge



Lap butt hinge



Hidden hinge



Pull handles



D pull handle with hidden mounting harmonises with the door leaf.
Height 300 mm, \varnothing 30 mm.
Art. no.: Sapa 14 128



Triangular pull handle with hidden mounting harmonises with the door leaf.
Height 300 mm, \varnothing 30 mm.
Art. no.: Sapa 14 129



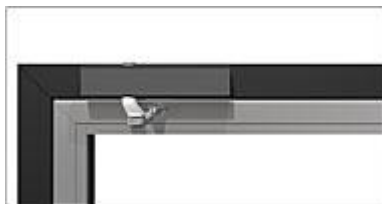
Semi-circular pull handle with hidden mounting harmonises with the door leaf.
Height 300 mm, \varnothing 30 mm.
Art. no.: Sapa 14 130

Handles

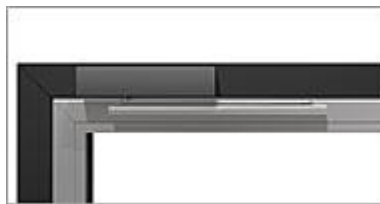


Handle for modular profile door.
Width 137 mm,
 \varnothing 21 mm.
Art. no.: Sapa 14 132

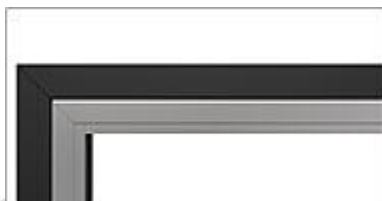
Door closing devices



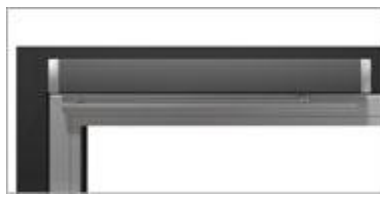
Door closure with arm.
According to supplier.



Sliding rail door closure.
According to supplier.

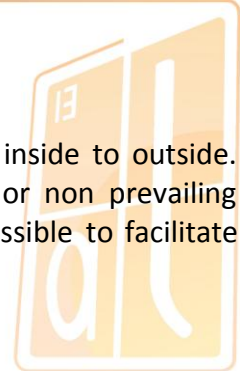


Built-in door closure.
According to supplier.



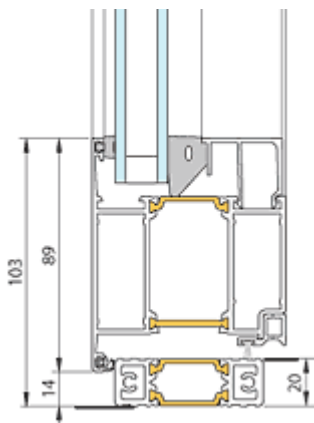
Automatic door closure.
According to supplier.



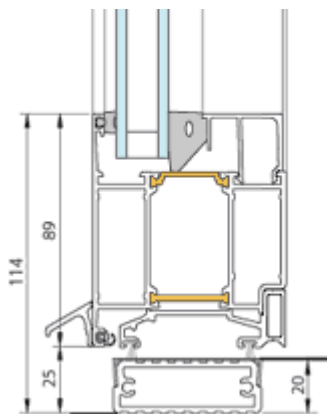


o **Threshold alternatives**

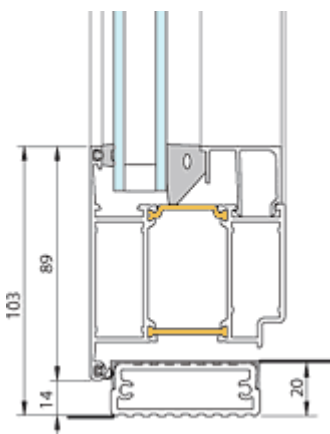
Door openings should be designed without level differences from inside to outside. Sometimes a threshold is not required because of, for example, moisture or non prevailing weather conditions. When a threshold is installed, it should be as low as possible to facilitate passage. Applicable standards and requirements should be taken into account.



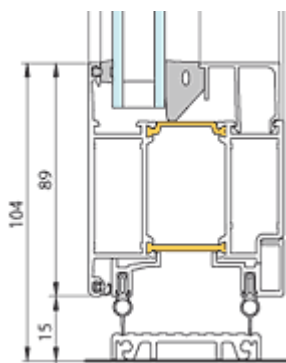
Door with rebate profile



Door with uninsulated threshold and stainless steel protection

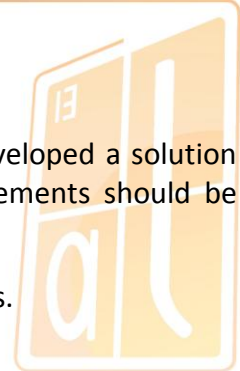


Door with rebate profile, uninsulated threshold and stainless steel protection.



Door with strip seal

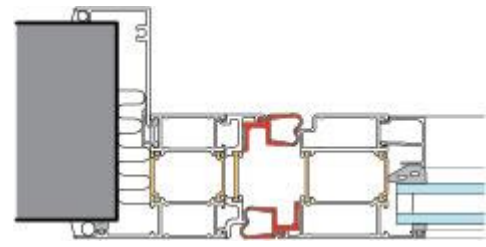




o **Anti-finger trap protection**

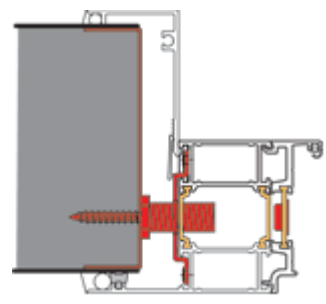
In order to reduce the risk of injury due to squeezing, we have developed a solution based on a so-called anti-finger trap edge. Applicable standards and requirements should be taken into account.

Door system 2074 with anti-finger trap edge with EPDM rubber strips.



o **Fixing principles**

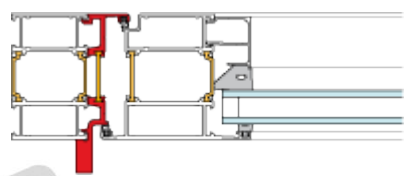
The number and location of fixing points depends on the size of the element. The adjustable frame bushing are fixed into the mounting plates according to the wall supplier.



o **Break-out protection**

Outward opening single-leaf door

In order to reduce the risk of burglary through doors, we have developed a rebate profile with integrated break-out protection. The break-out protection profile is easy to replace if damage occurs. Clear anodising is recommended for optimum appearance. Only available for outward opening singleleaf doors.



For more information please contact „Al Construction“ Manager-Constructor Support!

